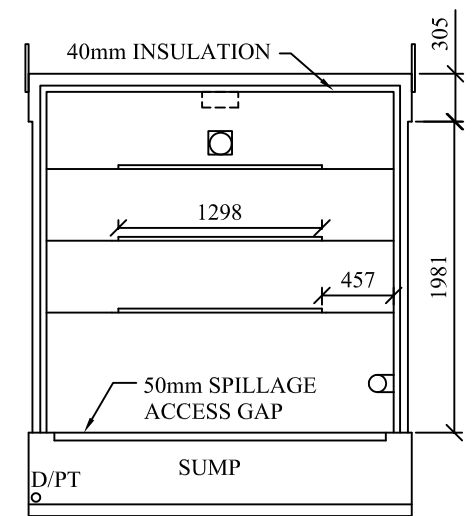
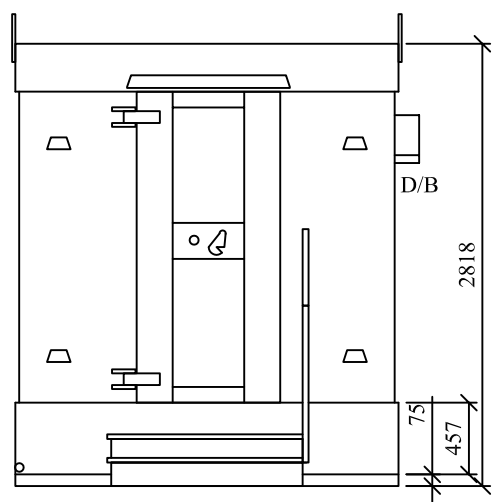
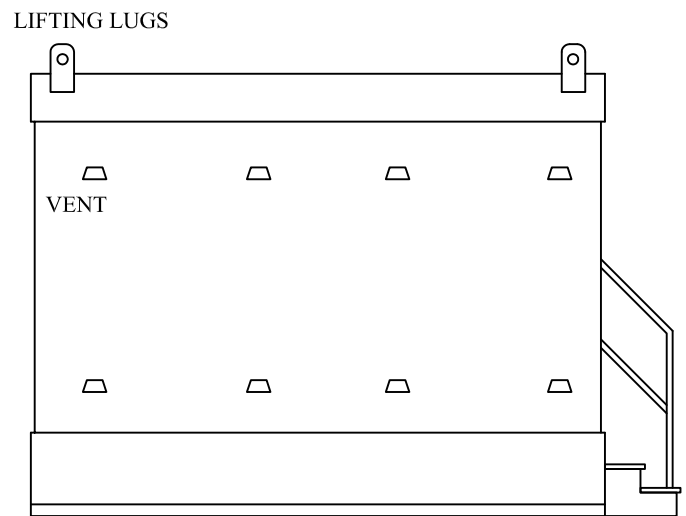
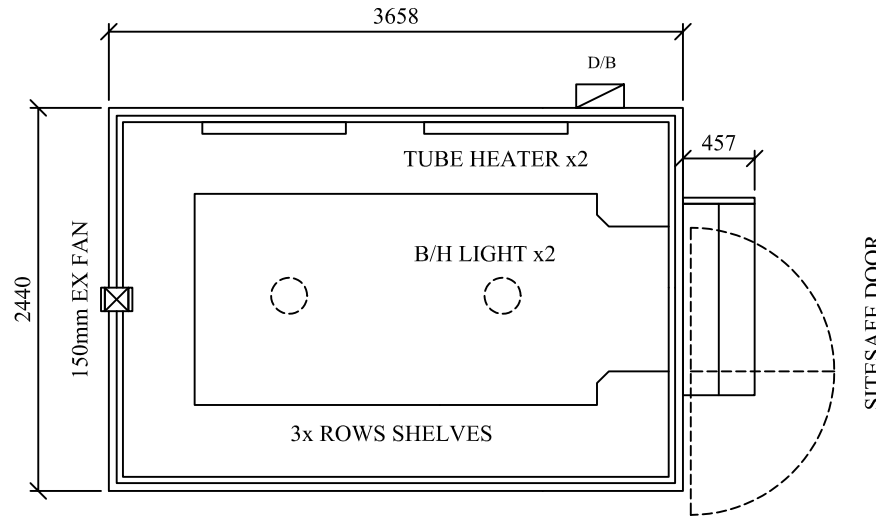


HIGHLY SECURE VANDAL RESISTANT BUILDING



DO NOT SCALE REMOVE ALL BURRS AND SHARP EDGES	 THIRD ANGLE PROJECTION	REV No	DATE	BY	CUSTOMER	CLEVELAND SITESAFE LIMITED RIVERSIDE WORKS CLEVELAND T83 8AT 01642 244663	DRAWN	DESCRIPTION
		REV 1					JWH	CHEMSAFE 4000 FULL SPEC
		REV 2					SCALE	
		REV 3					DATE	DRG No CHEM4000FSWEB
		REV 4					22.10.04	