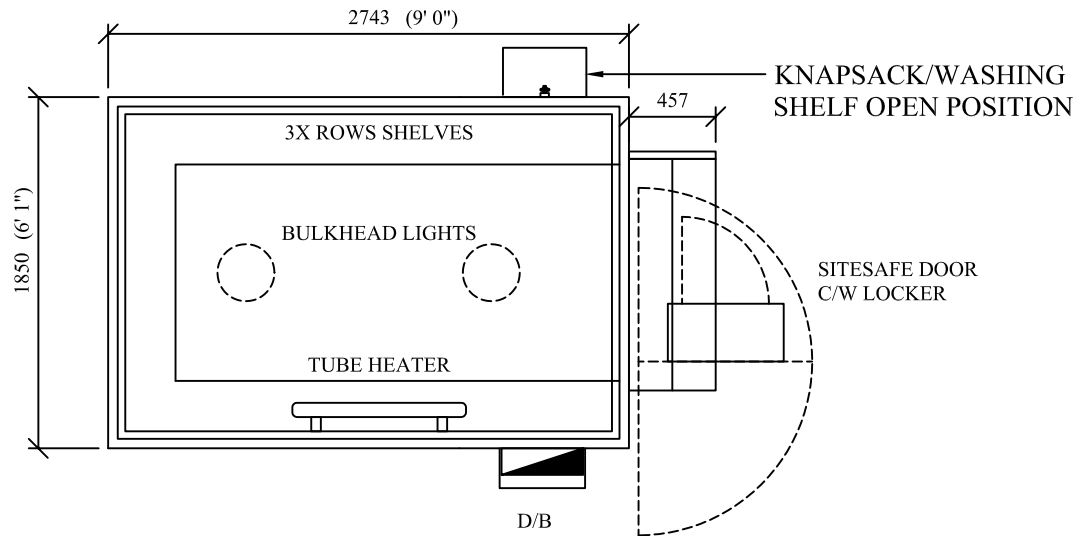
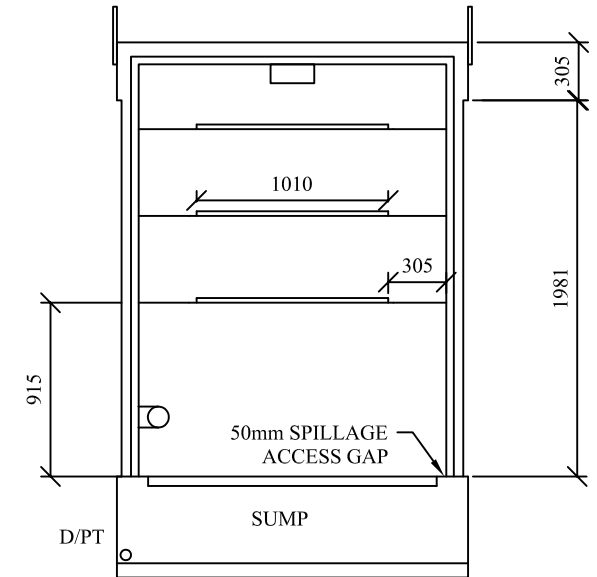
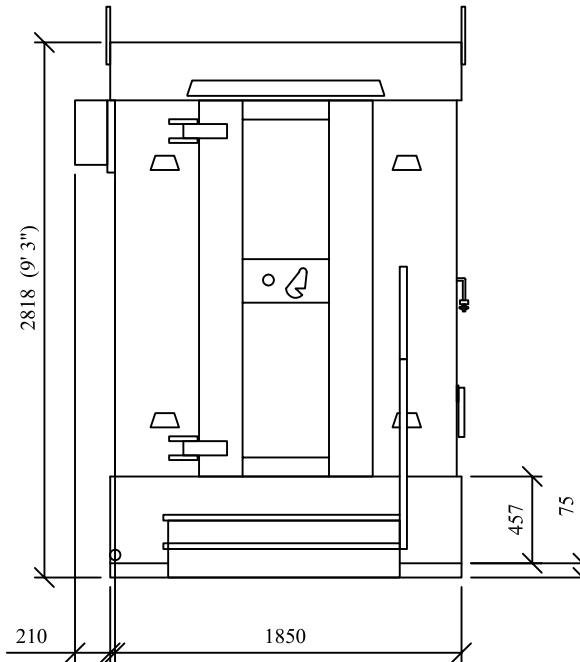
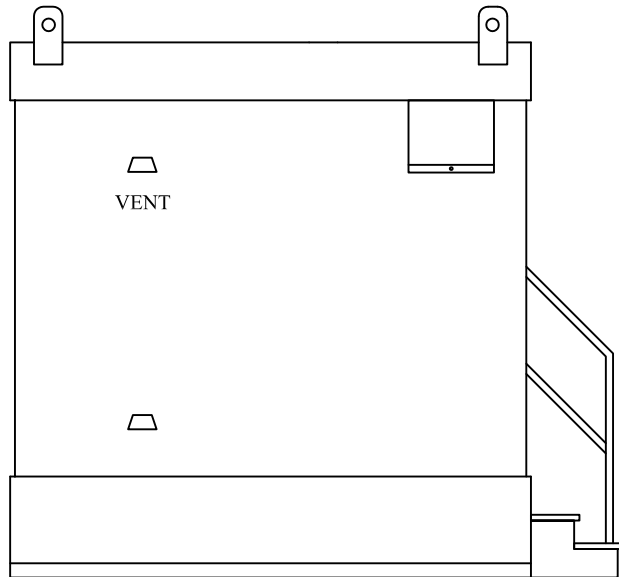


# HIGHLY SECURE VANDAL RESISTANT BUILDING



LIFTING LUGS



DO NOT SCALE  
REMOVE ALL BURRS AND SHARP EDGES



REV No	DATE	BY	CUSTOMER
REV 1			
REV 2			
REV 3			
REV 4			

**CLEVELAND  
SITESAFE  
LIMITED**

RIVERSIDE WORKS  
CLEVELAND  
783 8AT  
01642 244663

DRAWN JWH	DESCRIPTION
SCALE	CHEMSAFE 2300 UNIT - FULL SPEC
DATE	DRG NoCHEM2300FSWEB