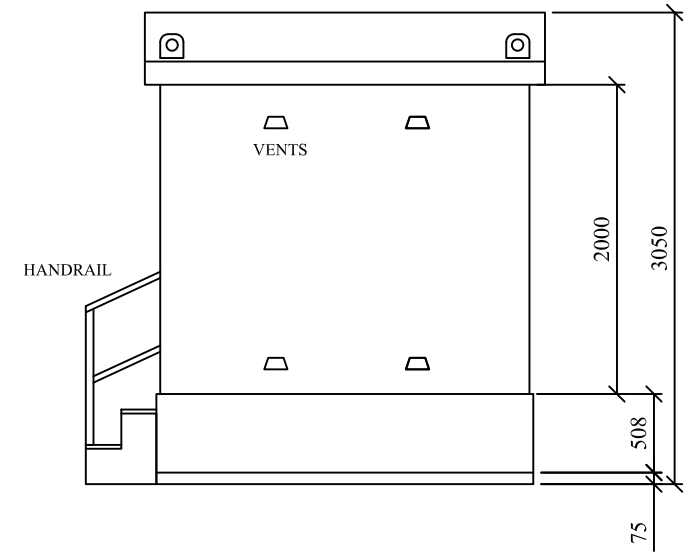
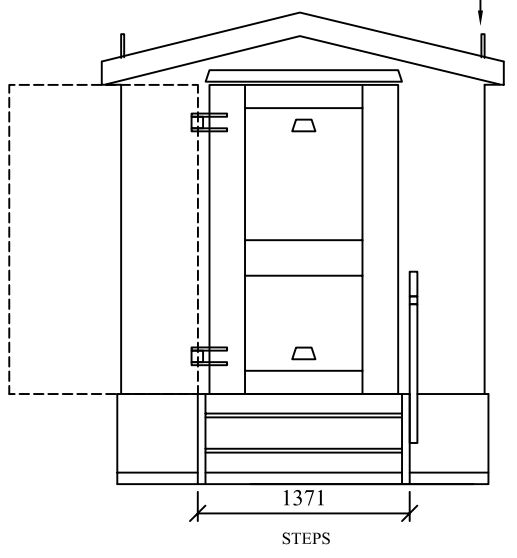
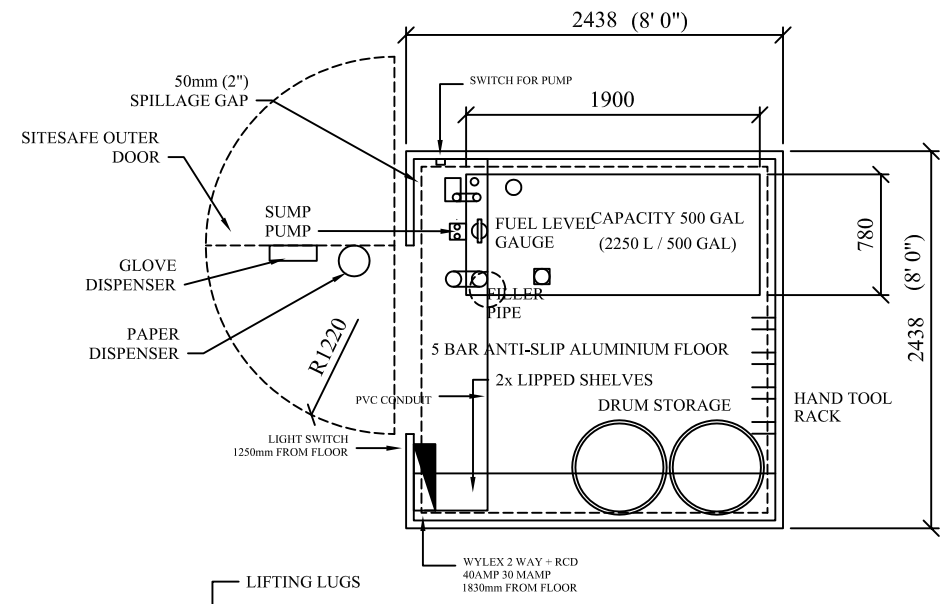
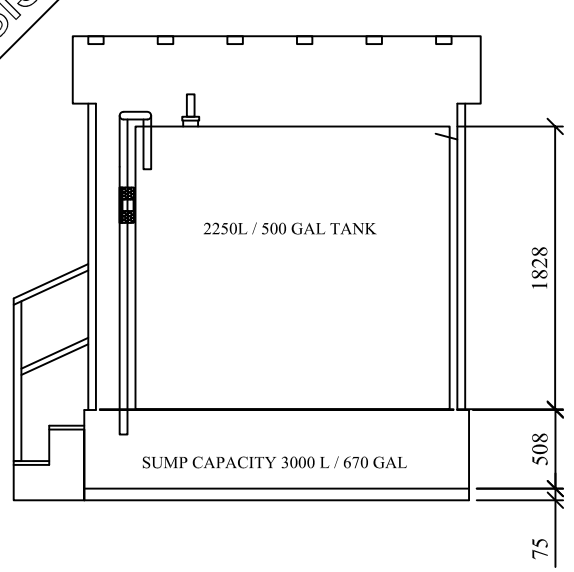


HIGHLY
SECURE
VANDAL RESISTANT



| | | | | | | | | | | |
|--------------------------------------------------|----------------------------|--------|------|----|----------|----------------------------------------------------------------------------------------------------|------------|-------------|------------------------|-----------------------|
| DO NOT SCALE REMOVE ALL BURRS AND SHARP EDGES | THIRD ANGLE PROJECTION | REV No | DATE | BY | CUSTOMER | CLEVELAND SITESAFE LIMITED <small>RIVERSIDE WORKS CLEVELAND TS3 RAT 01642 244663</small> | DRAWN | DESCRIPTION | | |
| | | REV 1 | | | | | JWH | | APEX FUELSAFE 500 UNIT | |
| | | REV 2 | | | | | SCALE | | | |
| | | REV 3 | | | | | DATE | | | DRG No APEXFUEL500WEB |
| | | REV 4 | | | | | 26/05/2009 | | | |