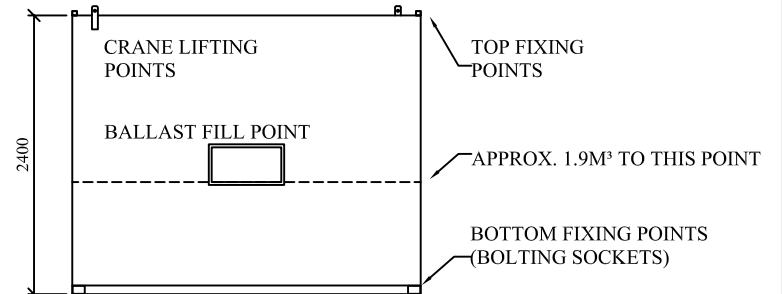
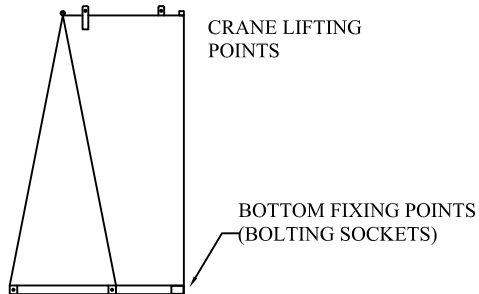
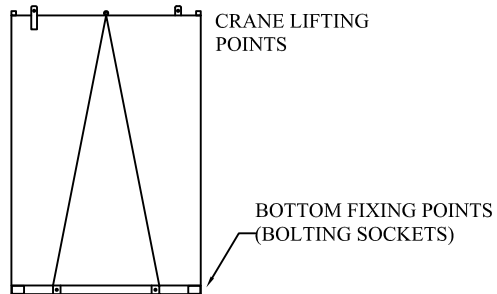
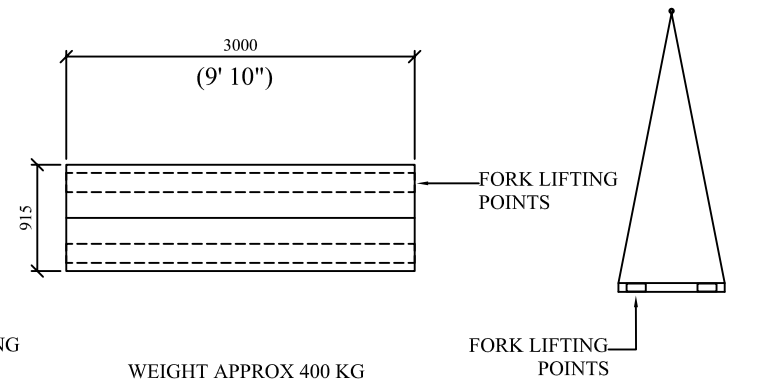
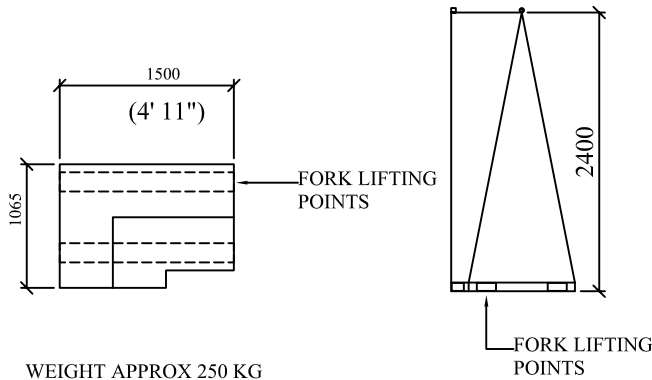
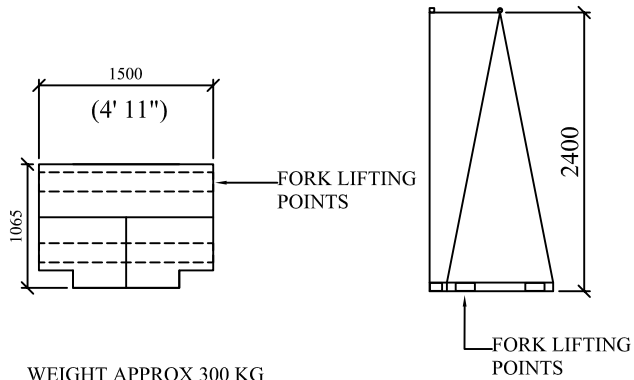


T SECTION

CORNER

PANEL



IF YOU WISH TO BALLAST THE SECTIONS USE CONCRETE, SAND OR OTHER DRY MATERIAL. WE DO NOT GUARANTEE THE UNITS TO BE OR REMAIN WATER TIGHT FOR BALLASTING PURPOSES

DO NOT SCALE REMOVE ALL BURRS AND SHARP EDGES	 THIRD ANGLE PROJECTION	REV No	DATE	BY	CUSTOMER	 RIVERSIDE WORKS CLEVELAND TS3 RAT 01642 244663	DRAWN	DESCRIPTION		
		REV 1					JWH		BUNKER WALLS 2.4m HIGH	
		REV 2					SCALE			
		REV 3					DATE			DRG No WEBBUNKERW2M
		REV 4					12/04/2011			